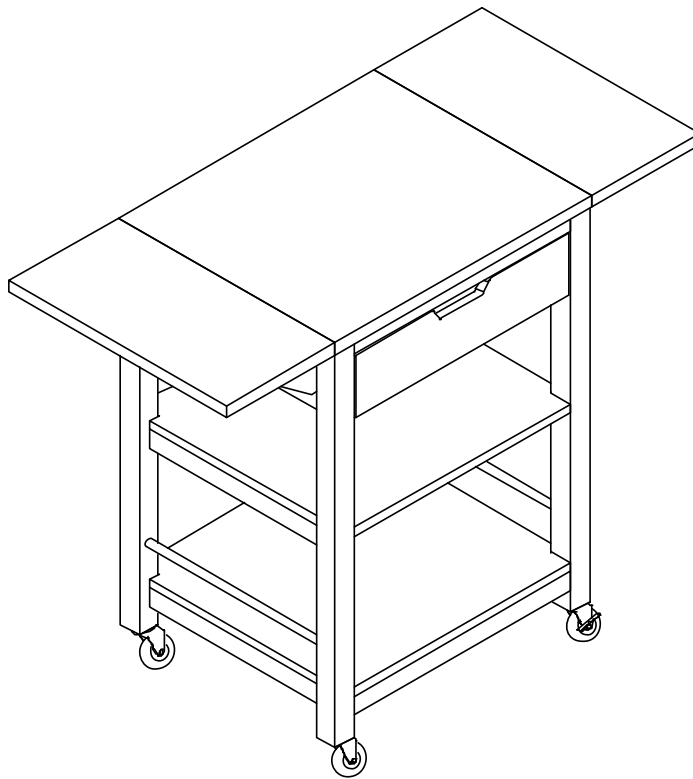




OWNER'S MANUAL



**TRINITY 24" BAMBOO KITCHEN CART
W/ DROP LEAF
Model # TBFLNA-1406**

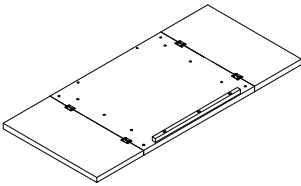
PARTS LIST

Your TRINITY 24" Bamboo Kitchen Cart should include the following parts. Please inspect box contents to ensure you have received all components.

If you are missing any parts, need assistance with assembly or have questions, please contact TRINITY Customer Service: 800.985.5506 or customerservice@trinityii.com. Parts can also be requested online via our "Contact Us" section at www.trinityii.com.

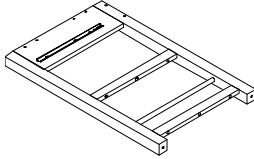
An electric screwdriver or drill is recommended for ease of assembly.

A



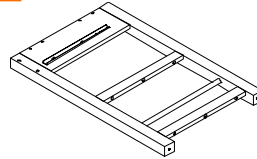
TOP (1)

B



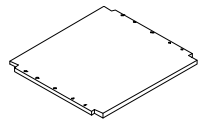
**LEFT
SIDE FRAME (1)**

C



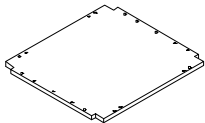
**RIGHT
SIDE FRAME (1)**

D



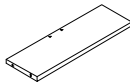
**UPPER
SHELF (1)**

E



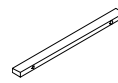
**LOWER
SHELF (1)**

F



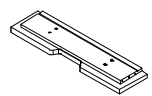
BACK FRAME (1)

G



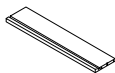
**LOWER SHELF
FRAME (2)**

H



**DRAWER FRONT
PANEL (1)**

I



**DRAWER BACK
PANEL (1)**

J



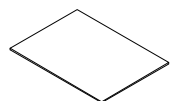
**DRAWER LEFT
PANEL (1)**

K



**DRAWER RIGHT
PANEL (1)**

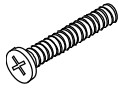
L



**DRAWER BOTTOM
PANEL (1)**

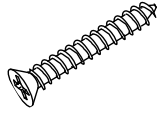
PARTS LIST

AA



**SCREW
(16) + (2) extra
black**

BB



**DRAWER
SCREW (8) + (1) extra**

CC



**DOWEL
(18) + (2) extra**

DD



HANGER STUD (7)

EE



**NON-LOCKING
CASTER (2)**

FF



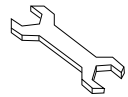
**LOCKING
CASTER (2)**

GG



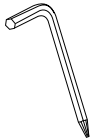
WASHER (4)

HH



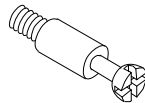
WRENCH (1)

II



SCREWDRIVER (1)

JJ



**CONNECTOR SCREW
(12) + (1) extra**

KK



**CAM LOCK
(12) + (1) extra**

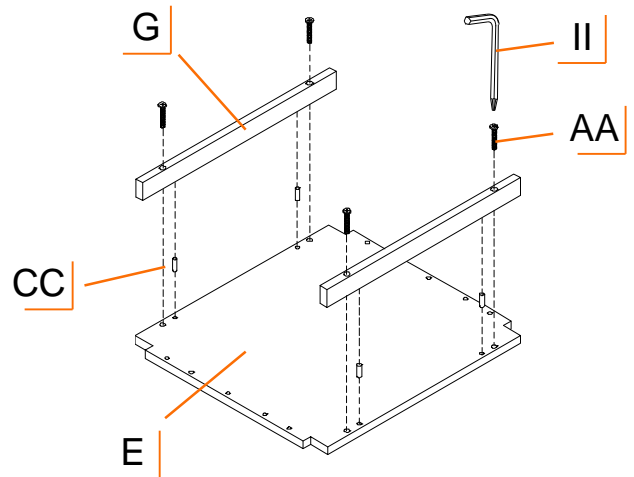
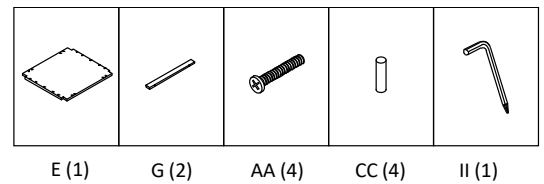
ASSEMBLY INSTRUCTIONS

STEP 1

Lay LOWER SHELF (E) on a clean surface with holes facing up. Insert (4) DOWELS (CC) into the inner holes as pictured.

Orient LOWER SHELF FRAME (G) with Trinity logo facing out. Align holes on LOWER SHELF FRAME (G) with DOWELS (CC) and push onto LOWER SHELF (E).

Insert (4) SCREWS (AA) through LOWER SHELF FRAME (G) and fasten tightly to LOWER SHELF (E) with SCREWDRIVER (II).

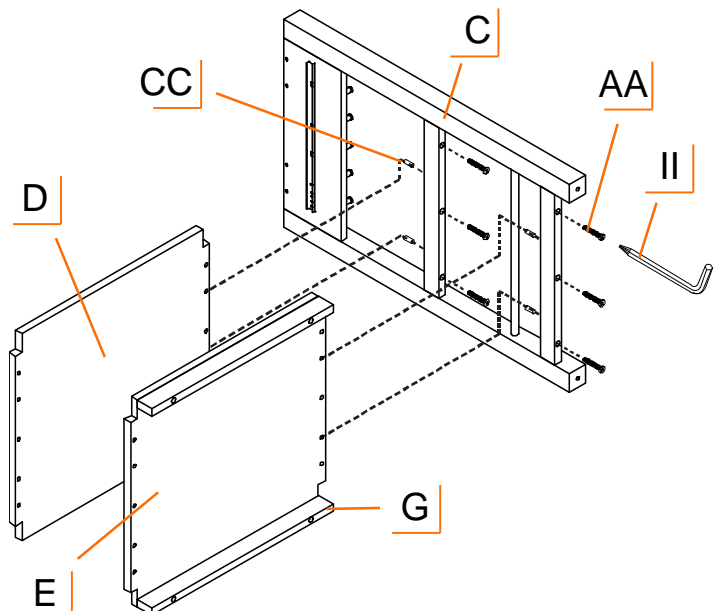
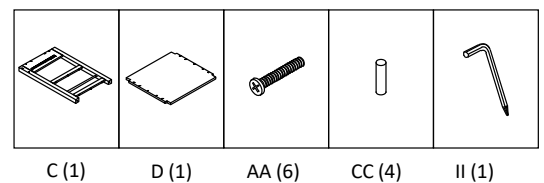


STEP 2

Lay RIGHT SIDE FRAME (C) on its side. Insert (2) DOWELS (CC) on each cross beam on the RIGHT SIDE FRAME (C).

Align holes on UPPER SHELF (D) with DOWELS (CC) and push onto middle cross beam on RIGHT SIDE FRAME (C). Align holes on the LOWER SHELF (E) with frame from Step 1 with DOWELS (CC) and push onto lower cross beam on RIGHT SIDE FRAME (C).

Insert (6) SCREWS (AA) through cross beams of RIGHT SIDE FRAME (C) and fasten tightly to UPPER SHELF (D) and LOWER SHELF (E) with SCREWDRIVER (II).



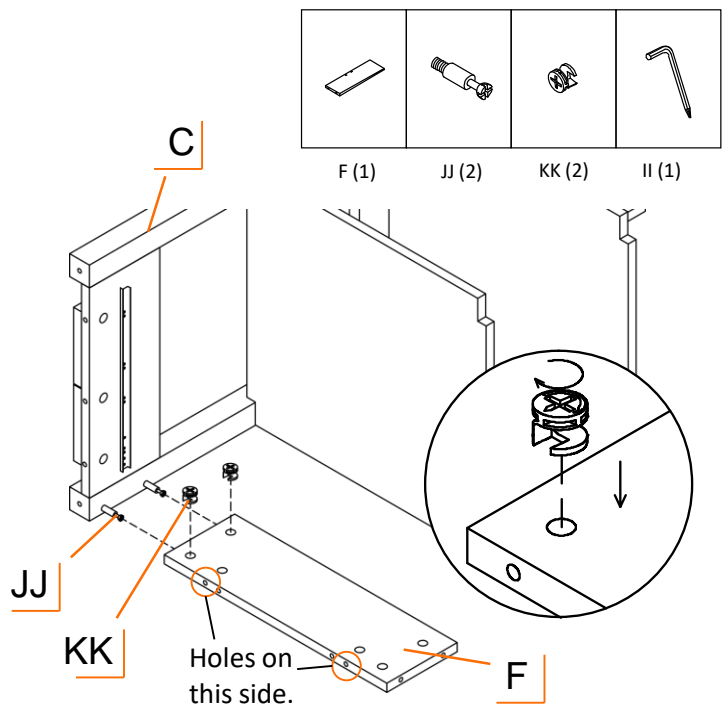
ASSEMBLY INSTRUCTIONS

STEP 3

Screw (2) CONNECTOR SCREWS (JJ) to RIGHT SIDE FRAME (C) as shown with the SCREWDRIVER (II). Insert (2) CAM LOCKS (KK) to BACK FRAME (F).

Push BACK FRAME (F) with CAM LOCKS (KK) onto the CONNECTOR SCREWS (JJ).

Use SCREWDRIVER (II) to turn CAM LOCKS (KK) in clockwise direction until BACK FRAME (F) is pulled tight with RIGHT SIDE FRAME (C).



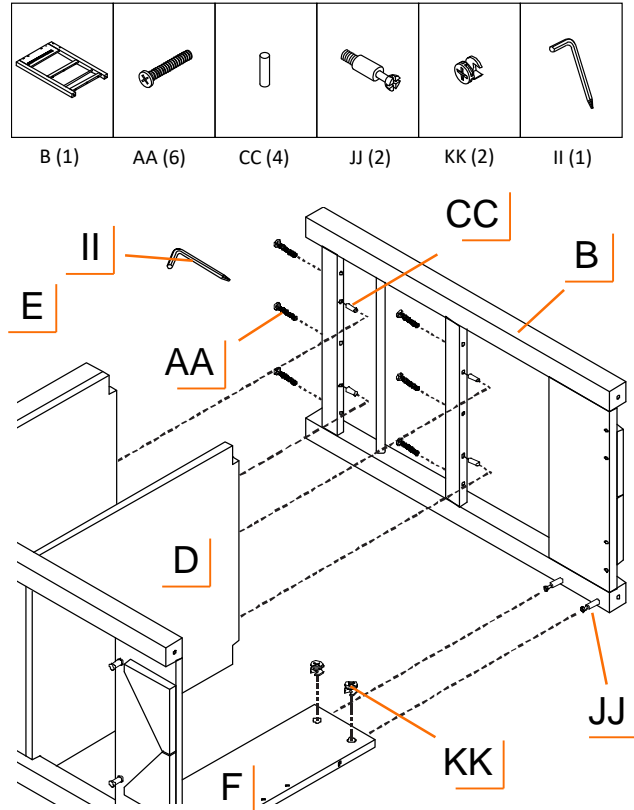
STEP 4

Insert (4) DOWELS (CC) in the LEFT SIDE FRAME (B). Place (2) on each cross beam as shown. Screw (2) CONNECTOR SCREWS (JJ) to LEFT SIDE FRAME (B) as shown with the SCREWDRIVER (II). Insert (2) CAM LOCKS (KK) to BACK FRAME (F) with pointer arrow pointing toward the edge.

Take LEFT SIDE FRAME (B) and align CONNECTOR SCREWS (JJ) to holes in BACK FRAME (F), then DOWELS (CC) to UPPER SHELF (D), then LOWER SHELF (E).

Use the SCREWDRIVER (II) to turn CAM LOCKS (KK) in clockwise direction until BACK FRAME (F) is pulled tight with LEFT SIDE FRAME (B).

Insert (6) SCREWS (AA) through cross beams of LEFT SIDE FRAME (B) and fasten tightly to UPPER SHELF (D) and LOWER SHELF (E) with SCREWDRIVER (II).



ASSEMBLY INSTRUCTIONS

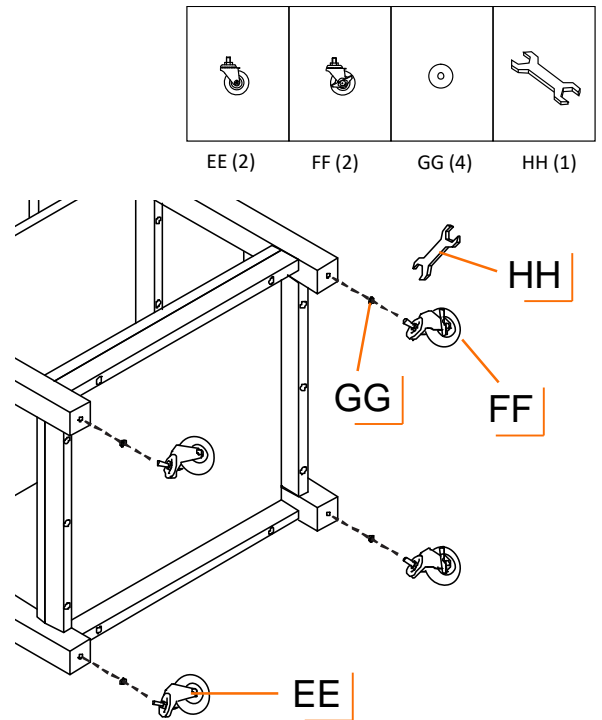
STEP 5

Take a NON-LOCKING CASTER (EE) and insert threaded stem through WASHER (GG) and screw into one of the rear legs. Fully tighten with WRENCH (HH). Repeat with the other NON-LOCKING CASTER (EE).

Take a LOCKING CASTER (FF) and insert threaded stem through WASHER (GG) and screw into one of the front legs. Tighten with WRENCH (HH). Repeat with the other LOCKING CASTER (FF).

Note: Make sure LOCKING CASTERS (FF) are on the same side.

Use the provided caster wrench to tighten completely. Failure to do as instructed could result in the caster stem breaking.



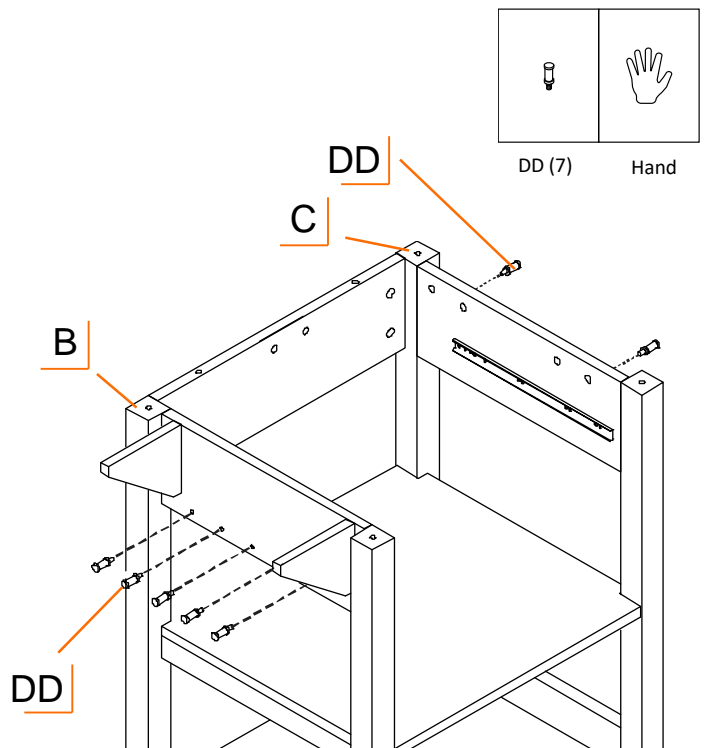
STEP 6

With two people, carefully stand partially assembled Kitchen Cart upright.

By hand, screw (2) HANGER STUDS (DD) into the insert nuts on RIGHT SIDE FRAME (C).

By hand, screw (5) HANGER STUDS (DD) into the insert nuts on LEFT SIDE FRAME (B).

To prepare for the next step, extend the triangular support by pulling it away from the SIDE FRAMES (B, C) and point it outward. Do this to all (4) triangular supports on both sides.

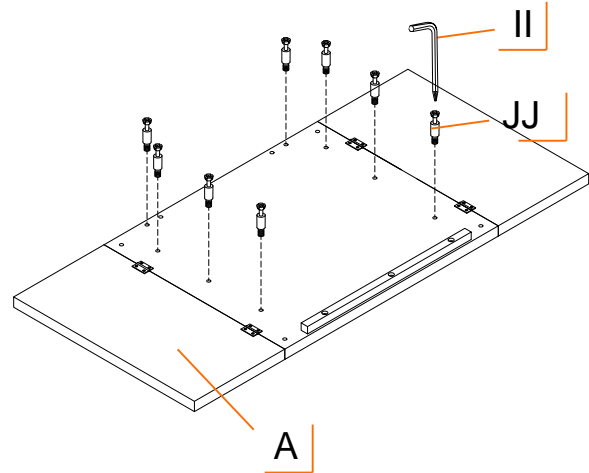
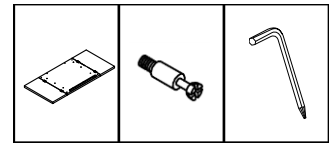


ASSEMBLY INSTRUCTIONS

STEP 7

Lay TOP (A) on a clean surface with holes facing up.

Screw (8) CONNECTOR SCREWS (JJ) to the small holes on TOP (A) as shown with SCREWDRIVER (II).

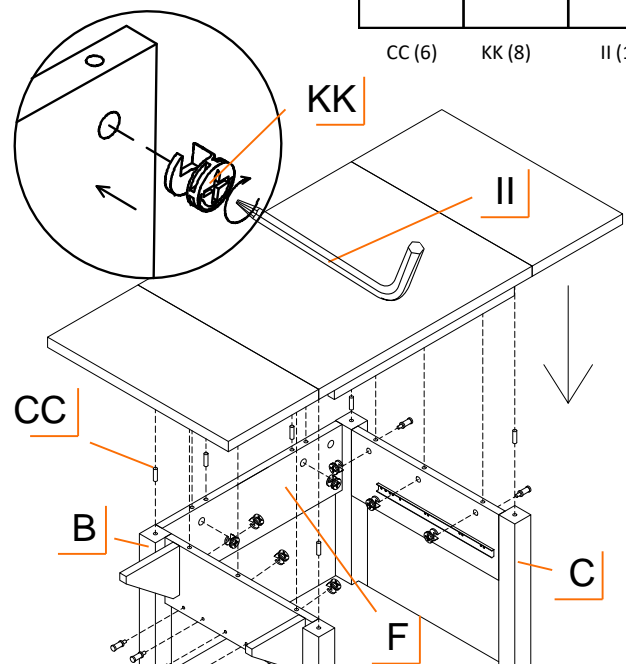
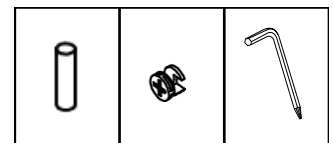


STEP 8

Insert a DOWEL (CC) into the top of each leg. Insert (4) DOWELS (CC) to the BACK FRAME (F).

Make sure the (2) side surfaces of TOP (A) are extended so that they are flat. With two people, lift TOP (A) and align the holes on the underside with the DOWELS (CC) on the Kitchen Island Frame. Carefully lower TOP (A) onto the Kitchen Island Frame.

Insert (3) CAM LOCKS (KK) each to LEFT SIDE FRAME (B) and RIGHT SIDE FRAME (C) with pointer arrow pointing up, toward the edge. Insert (2) CAM LOCKS (KK) to BACK FRAME (F). Use SCREWDRIVER (II) to turn CAM LOCKS (KK) in clockwise direction until TOP (A) is pulled tight with the frame.



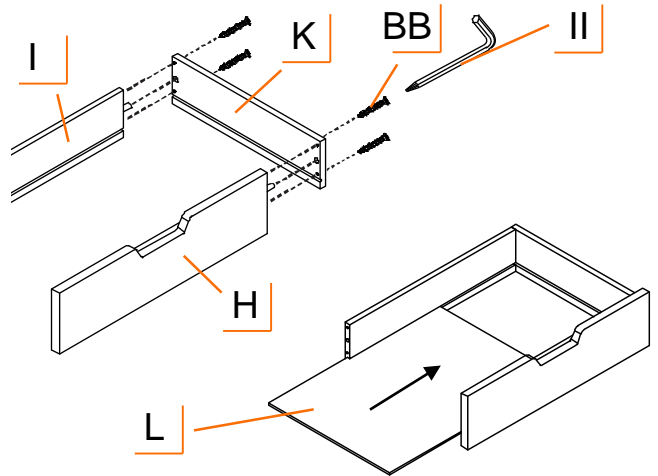
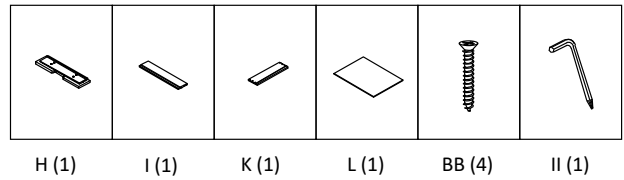
ASSEMBLY INSTRUCTIONS

STEP 9

Align and press dowels on DRAWER FRONT PANEL (H) and DRAWER BACK PANEL (I) into blind holes on DRAWER RIGHT PANEL (K).

Insert (4) DRAWER SCREWS (BB) through the DRAWER RIGHT PANEL (K) and fasten them tightly to DRAWER FRONT PANEL (H) and DRAWER BACK PANEL (I) with SCREWDRIVER (II).

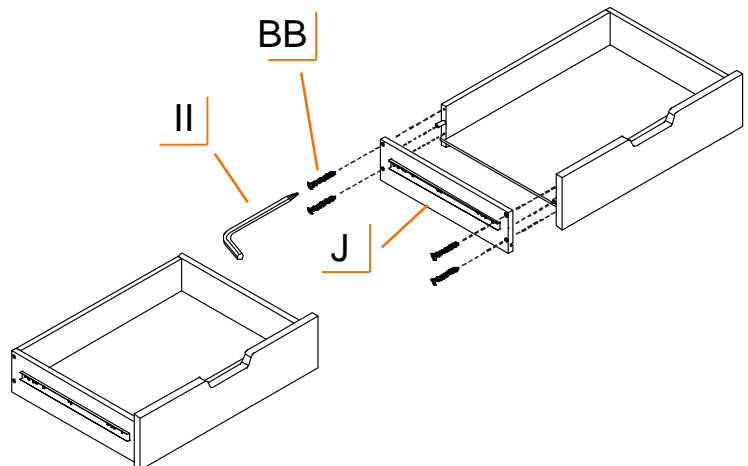
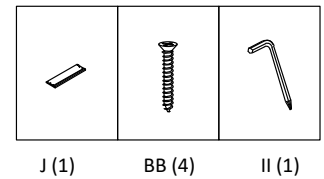
Slide DRAWER BOTTOM PANEL (L) into the grooves as shown.



STEP 10

Align and press dowels on DRAWER FRONT PANEL (H) and DRAWER BACK PANEL (I) into blind holes on DRAWER LEFT PANEL (J).

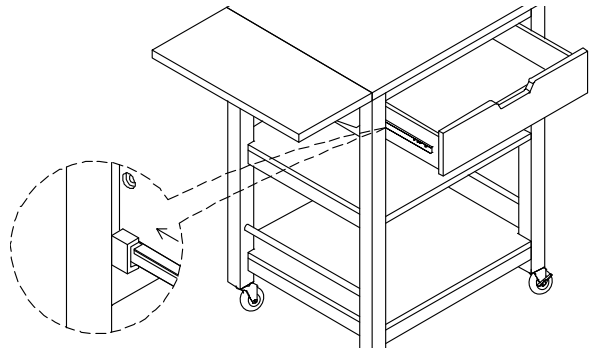
Insert (4) DRAWER SCREWS (BB) through the DRAWER LEFT PANEL (J) and tightly fasten them with the SCREWDRIVER (II).



USAGE INSTRUCTIONS

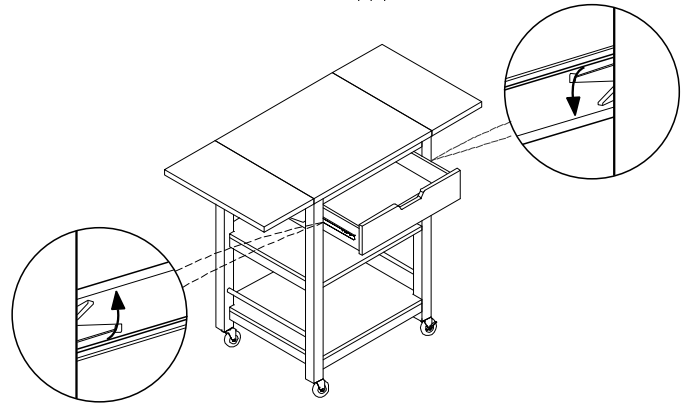
Install Drawer

Align rails on Drawer with rails on the Kitchen Cart. Push Drawer all the way into Kitchen Cart.



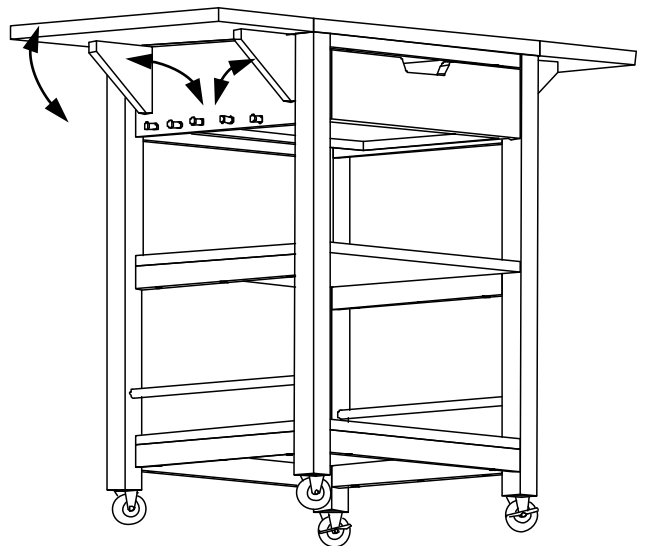
Remove Drawer

Pull Drawer out so that it is almost fully extended. On the LEFT-hand side, pull the black release lever UP. On the RIGHT-hand side, push the black release lever DOWN. While holding the levers as instructed, pull the Drawer forward until released from the slides attached to the Kitchen Cart.



Fold Down Drop Leaf

Lift up the Drop Leaf slightly with one hand. With the other hand, fold in the triangular supports. Finally let Drop Leaf down gently.



Fold Up Drop Leaf

Lift up the Drop Leaf with one hand until surface is flat. With the other hand fold out the triangular supports by rotating them. Finally let Drop Leaf down, setting it on the triangular supports.

SERVICE PARTS LIST – TBFLNA-1406

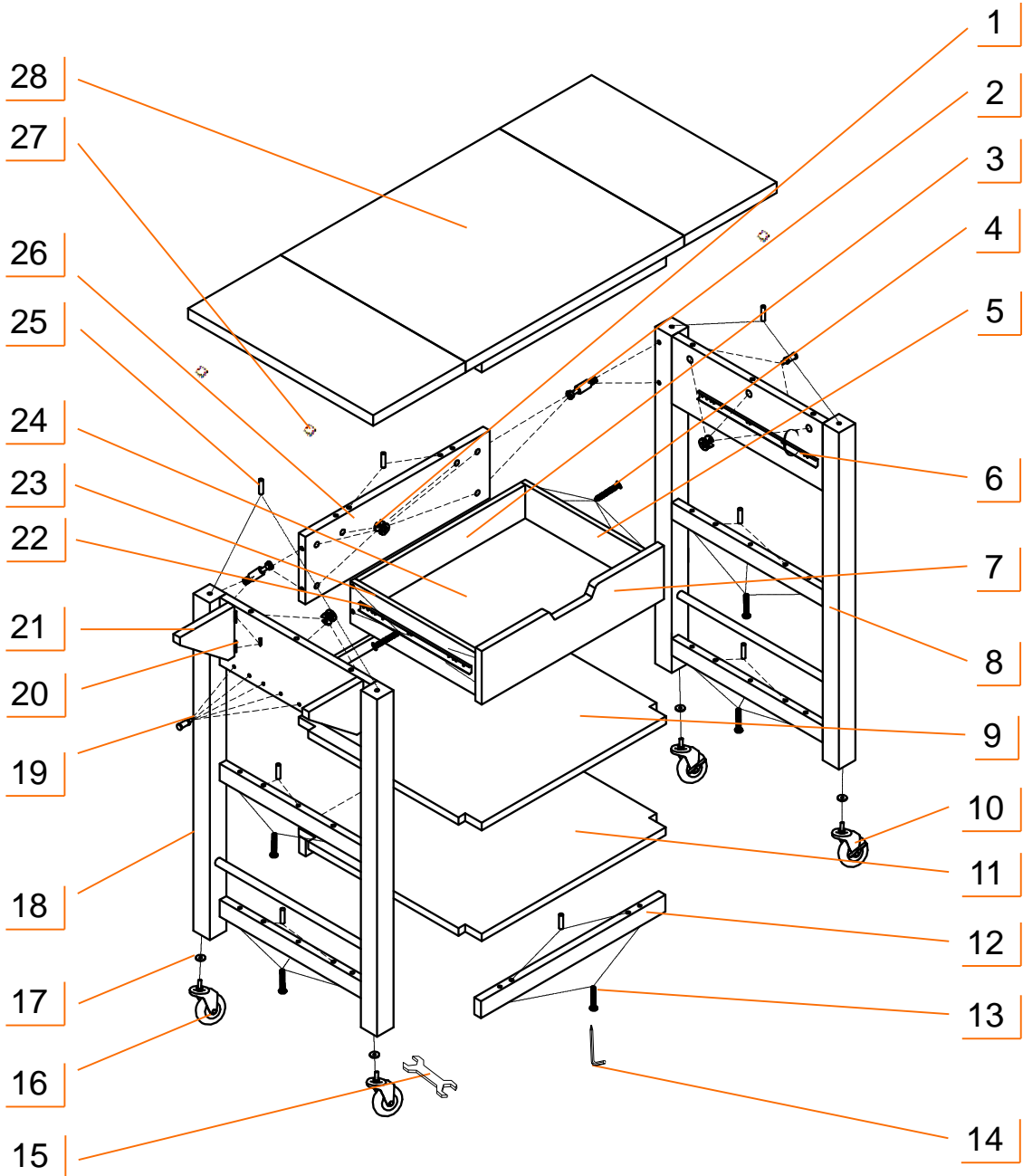
TRINITY Customer Service provides the following replacement parts:

	Part Number	Description		Part Number	Description
1)	ZSV-01-028-1514	Cam Lock	15)	XXX-97-002-0001	Wrench
2)	ZSV-01-021-0633	Connector Screw	16)	ZSV-99-007-3010	Non-locking Caster
3)	LNA-15-004-1904	Drawer Back Panel	17)	ZSV-01-007-1035	Washer
4)	ZBK-01-025-0425	Drawer Screw	18)	LNA-14-032-2032	Left Side Frame
5)	LNA-14-011-1404	Drawer Right Panel	19)	XSV-02-018-0001	Hanger Stud
6)	ZBK-12-006-1350	Slide (frame side)	20)	XBR-09-007-0001	Hinge
7)	LNA-15-005-2005	Drawer Front	21)	LNA-19-004-0600	Drop Leaf Support
8)	LNA-14-033-2032	Right Side Frame	22)	ZBK-12-005-1350	Slide (drawer side)
9)	LNA-03-026-2120	Upper Shelf	23)	LNA-14-010-1404	Drawer Left Panel
10)	ZSV-99-008-3010	Locking Caster	24)	LNA-16-001-1813	Drawer Bottom Panel
11)	LNA-03-027-2120	Lower Shelf	25)	XNA-01-006-0830	Dowel
12)	LNA-15-002-2002	Lower Shelf Frame	26)	LNA-15-012-2006	Back Frame
13)	ZBK-01-004-0628	Screw	27)	XBK-98-002-2525	Pad
14)	XXX-97-001-0002	Screwdriver	28)	LNA-06-010-4420	Top



SERVICE PARTS LIST – TBFLNA-1406

TRINITY Customer Service provides the following replacement parts:



WARNINGS

1. **Read and understand all instructions.** Failure to follow all instructions may result in injury and/or damage.
2. **The warnings, cautions, and instructions discussed in this manual cannot cover all possible conditions or situations that may occur.** The user must always be aware of their environment and ensure that they use the product in a safe and responsible manner.
3. **Use the provided caster wrench to tighten casters completely.** Failure to do as instructed could result in the caster stem breaking thereby causing the kitchen cart to collapse.
4. **Do NOT modify the product in any way.** Unauthorized modification may impair the function and/or safety of the product, and may affect the life of the product.
5. **Check for damaged parts.** Before using this product, carefully check that all parts are in good condition, and that the product will operate properly and perform its intended function. Check for damaged parts and any other conditions that may affect the operation of this product. Replace damaged or worn parts, and never use this product with a damaged part.
6. **Do NOT let children climb or play on the cart.**
7. **Do NOT lean on drop leaf.**
8. **Do NOT overload the product.** Weight capacity for evenly distributed weight.

Weight capacity per Shelf	40 lb
Weight capacity on Wood Top	50 lb
Weight capacity per Drop Leaf	10 lb
Weight capacity of Drawer	25 lb
Total weight capacity of Kitchen Cart	175 lb

9. **Lock the casters when leaving cart in stationary position.** If you wish to convert this into a stationary cart, feet levelers (XBK-98-003-25384) are available as an accessory through www.trinityii.com.

CARE AND MAINTENANCE

- Avoid harsh, abrasive cleaners, and other corrosive chemicals.
- Do not use scouring pad for cleaning.
- Keep dry and avoid damp environments.
- Wood top can be cleaned with damp cloth and wiped dry immediately with dry cloth. If needed, solvent-based wood furniture cleaner can be used.
- Clean up any spills immediately to prevent stains from forming on the wood surfaces.
- Do not put hot items directly on the cart to prevent damaging and discoloring wood surfaces.

PRODUCT REGISTRATION

Thank you for purchasing a TRINITY 24" Bamboo Kitchen Cart. In order to register your product and receive streamlined customer service, please fill out the following Product Registration Form and (1) fax the form to 310.347.4134 (2) complete the Product Registration Form online at www.trinityii.com or (3) scan and email the form to customerservice@trinityii.com. Include a copy of your original receipt with your submission.

First Name: _____ Last Name: _____

Address: _____

City: _____ State: _____ Zip Code: _____

Email Address: _____ Phone: _____

Product Model #: TBFLNA-1406 Purchase Date: ___ / ___ / ___

Location of Purchase: _____

Please rate the importance of each feature (1=least important; 10=most important)
 Quality ___ Price ___ Size/Capacity ___ Appearance ___ Other ___

How did you hear about our product?

- Magazine Ad
 Catalog
 Salesperson
 Word of Mouth
 Internet
 Store Display
 Other

- Marital Status: Single Married
 Household Income: Below \$50,000 \$50,000-\$150,000 \$150,000+
 Education: High School College Graduate School
 Primary Residence: Own Rent

Comments/Suggestions:



1 YEAR LIMITED WARRANTY

TRINITY 24" Bamboo Kitchen Cart Model # TBFLNA-1406

Trinity International Industries ("Trinity") warrants to the original consumer purchaser ("Purchaser") of the TRINITY 24" Bamboo Kitchen Cart ("Product") that each Product shall be free from defects in workmanship and materials for a period of 1 year from the date of original purchase. Trinity's obligation under this warranty shall be limited to repair or replacement of, or adequate compensation for the Product which shall not be greater than the amount of the purchase price of the Product, at the option of Trinity, during the warranty period. All replaced parts and Products become the property of Trinity and must be returned to Trinity.

This warranty excludes normal wear and tear of the Product and its parts or components, and damage arising from any of the following: negligent use or misuse of the Product, use contrary to this User's Manual, or alteration by any one other than Trinity. The warranty period of 1 year shall not be extended or renewed by the repair or replacement of, or compensation for, the Product. Any warranty implied by applicable law is limited in duration to one year from the date of purchase and is subject to the same conditions and limitations as is provided for our express warranty.

Except as set forth herein, and to the extent of applicable there are no warranties on this Product either express or implied, and Trinity disclaims all warranties including, but not limited to, any implied warranties of merchantability, infringement or fitness for a particular purpose. No warranty or guarantee given by any person, firm, or corporation with respect to this product shall be binding on Trinity.

If your Product is defective or otherwise requires service or parts, please call TRINITY Customer Service toll-free at (800) 985-5506, between 8:00 a.m. and 5:00 p.m., PST. Please tell us which model you purchased, the date of the purchase, and the problem with your Product. A copy of your original purchase receipt must accompany your service request.

LIMITATION OF REMEDIES AND LIABILITY

Trinity (and its employees, officers, members, managers, affiliates and assigns) shall not be liable for any incidental, consequential, special, indirect, remote, special or punitive damages for breach of any warranty, express or implied, including, but not limited to, lost profits, lost savings, loss of anticipated benefits and attorneys' fees, which arise out of the purchase, use or inability to use the Product, whether arising out of contract, negligence, strict tort, product liability, or any other legal theory on which a claim is based. As noted above, to the extent damages are allowed by our express warranty or by applicable law, those damages may not exceed the purchase price paid for the Product. Without limiting the foregoing Purchaser assumes all risk and liability for loss, damage or injury to Purchaser and Purchaser's property and to others and their property arising out of the use, misuse, or inability to use this Product. This limited warranty shall not extend to anyone other than the original purchaser of this product, is nontransferable and states your exclusive remedy.

Some states do not allow the exclusion or limitation of incidental, consequential, special, or punitive damages, so the above limitation or exclusion may not apply to you. The above warranty gives you specific legal rights, and you may have other rights which vary from state to state.

CONTACT US

**QUESTIONS? NEED PARTS?
WE ARE HERE TO HELP!**

Please feel free to contact us. There are no questions too small, or any problems too big. We're committed to providing our customers with the highest level of service.

TRINITY Customer Service

TEL: 800.985.5506

FAX: 310.347.4134

EMAIL: customerservice@trinityii.com

**Monday through Friday
8:00 AM – 5:00 PM (PST)**

www.trinityii.com