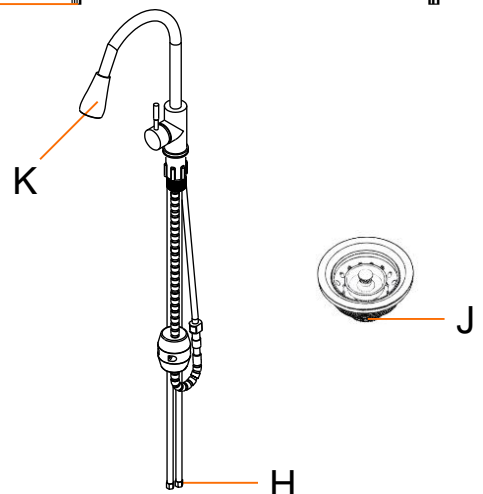
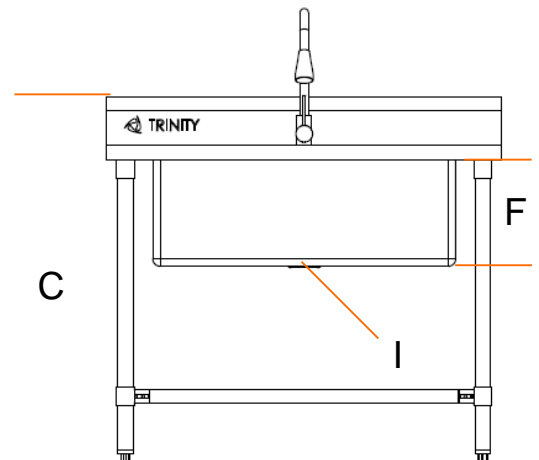
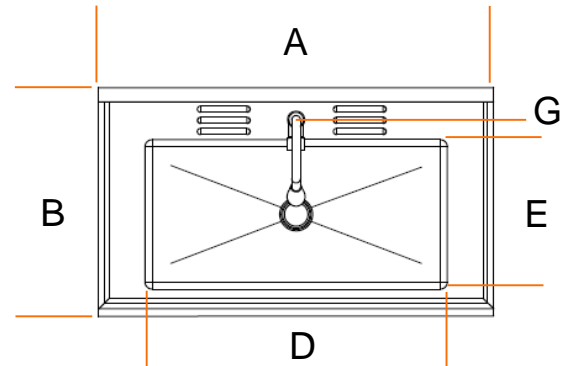




TRINITY 32"x16" STAINLESS STEEL UTILITY SINK W/ PULL-OUT FAUCET SPECIFICATIONS Model # THA-0310

A	Overall Width	42"
B	Overall Depth	24"
C	Overall Height (including faucet)	40" (49.2")
D	Bowl Width	32"
E	Bowl Depth	16"
F	Bowl Height	12"
G	Faucet Mounting Hole Size	1-3/8"
H	Faucet Water Supply Fitting Size	3/8"
I	Drain Mounting Hole Size	3-1/2"
J	Drain Bottom Fitting Size	1-1/2"
K	Max Flow Rate @ 60PSI	2.2gpm



NSF certified

In compliance with following standards meeting UPC and cUPC:

- Sink assembly: ASME A112.19.3-2017/CSA B45.4-17
- Faucet assembly: ASME A112.18.1-2018/CSA B125.1-18
- Drain assembly: ASME A112.18.2-2015/CSA B125.2-15